

FIREDOOR CYLINDER

WM-2000C-FHSX01

System Description

Vanma® Cylinder is a digital-key-based solution. Administration for both the digital-key-based solution and the mobile-phone-based solution is handled by one, flexible, modifiable, easy-to-use platform. Unique design minimizes the expenditure associated with system wiring and drives down lifecycle costs. Access rights to lost, stolen or unreturned keys can be quickly and easily blocked maximizing security while minimizing administrative work and costs. The product should not be modified in any way except in accordance with those modifications described in the instructions.

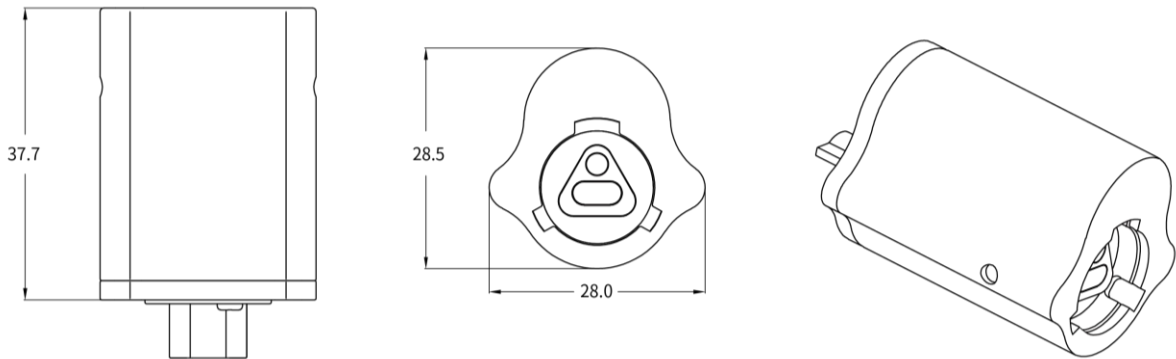
Feature

- Programmable electromechanic lock for Vanma® locking system
- No batteries or external energy source required for the lock
- All Vanma® locks and Vanma® keys are mechanically identical
- Powerful and secure AES256 encryption for common lock and key authentication
- Programmable lock opens with Vanma® keys
- Log memory for openings and opening attempts
- Blacklist for individual lost keys
- Access group list for key accesses
- Updatable firmware



Drawings

Model:WM-2000C-FHSX



Memory Capacity

- Blacklisted Keys..... 100 Pcs
- Lock Events.....60 Pcs

Technical Data

- Physical..... Hardened-Alloy with brushed finishing
- Weight.....114.4g
- IP Standard.....IP68
- Compatible Keys.....All Vanma keys