

## CABINET LOCK

WM-2000C-MS712/MS818/MS840/MS840L/MS612/MS867/MS8011/MS8012

---

### System Description

The convenience of remote management and high-level security throughout your business anytime and from anywhere. Reducing key control problems, smart keys are programmed for individual users' access rights. Each lock and key stores every access attempt, allowing managers to view audit trail of who has entered or attempted to enter a particular location.

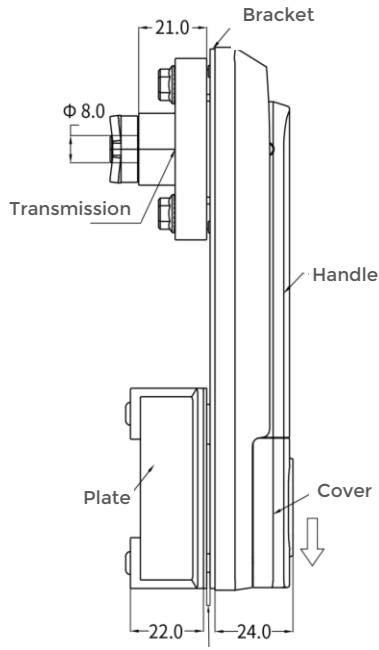
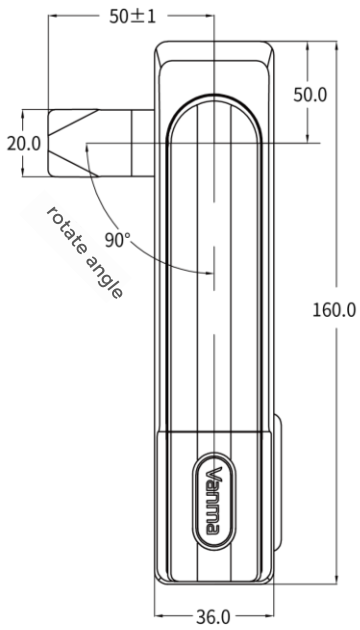
---

### Feature

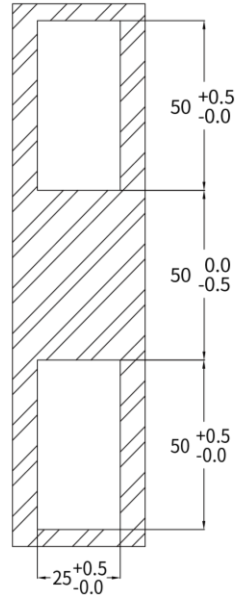
- Programmable electromechanic lock for Vanma® locking system
- No batteries or external energy source required for the lock
- All Vanma® locks and Vanma® keys are mechanically identical
- Powerful and secure AES256 encryption for common lock and key authentication
- Programmable lock opens with Vanma® keys
- Log memory for openings and opening attempts
- Blacklist for individual lost keys
- Access group list for key accesses
- Updatable firmware

# Drawings

Model:WM-2000C-MS712



Door thickness 1-4cm



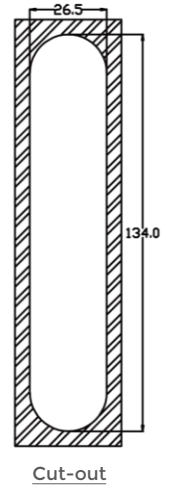
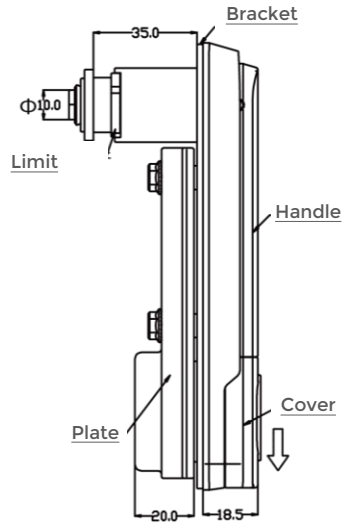
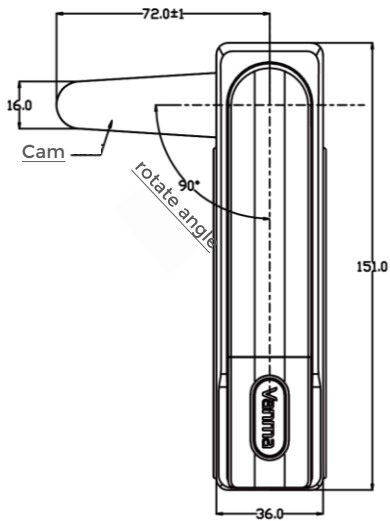
Cut-out



Weight:620g

# Drawings

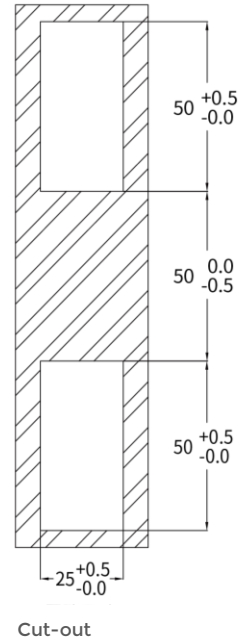
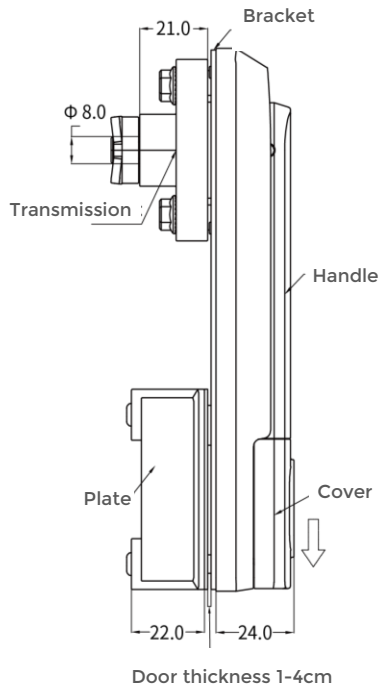
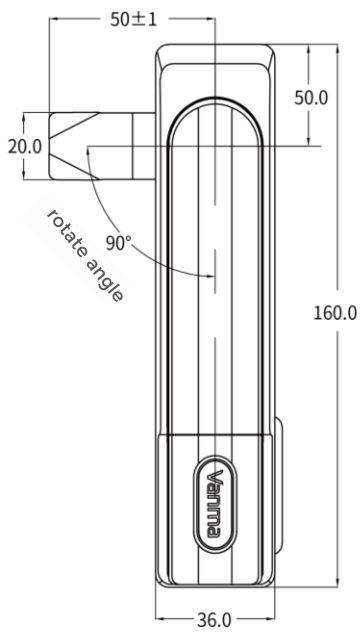
Model:WM-2000C-MS818



Weight:643g

# Drawings

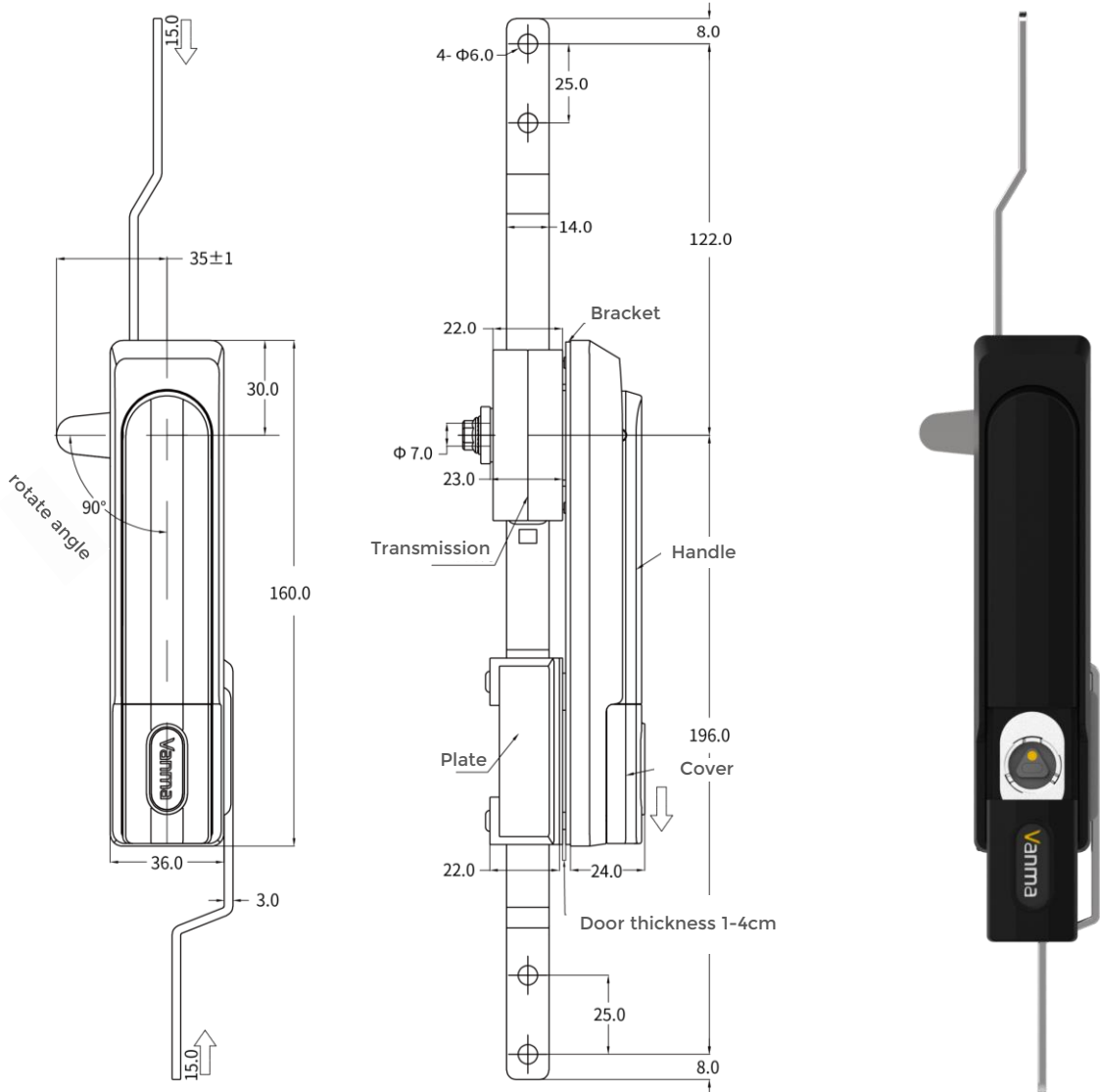
Model:WM-2000C-MS840



Weight:628g

# Drawings

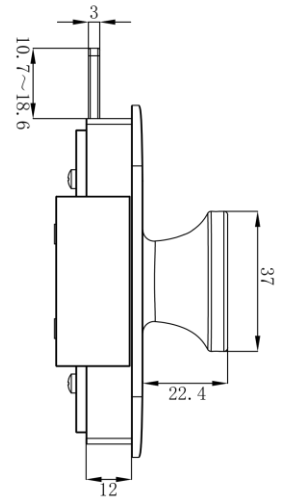
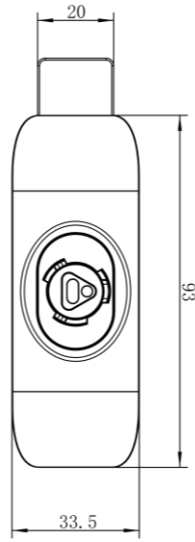
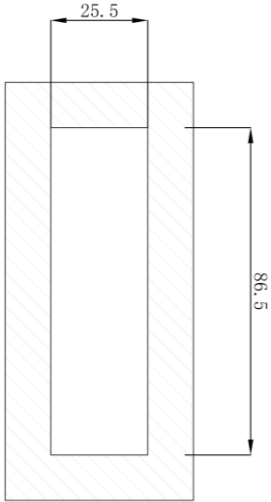
Model:WM-2000C-MS840L



Weight:785g

# Drawings

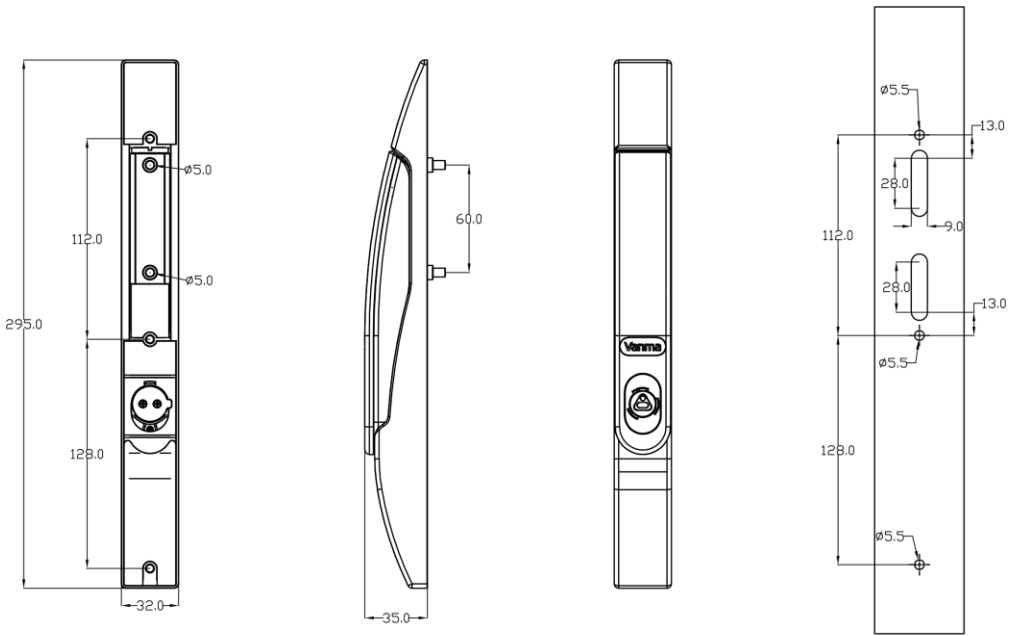
Model:WM-2000C-MS612



Weight:277g

# Drawings

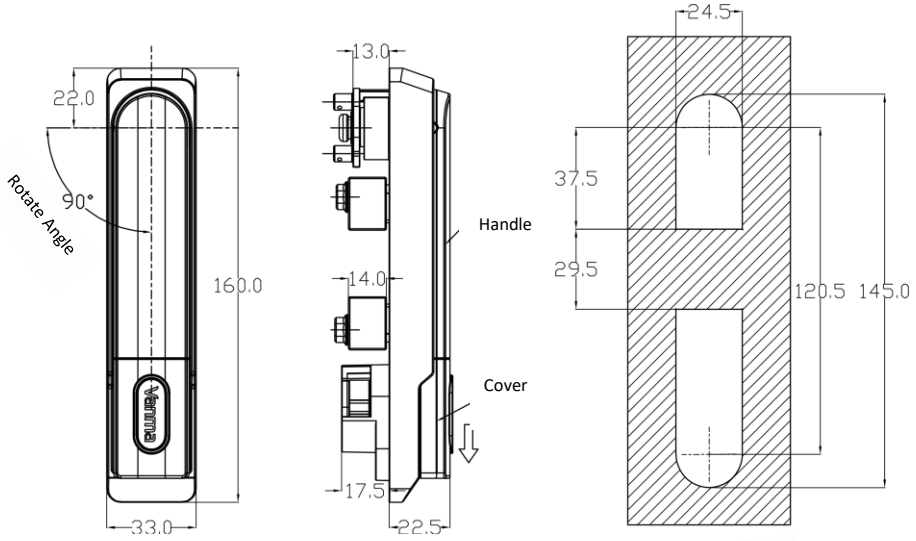
Model:WM-2000C-MS867



Weight:620g

# Drawings

Model:WM-2000C-MS8011

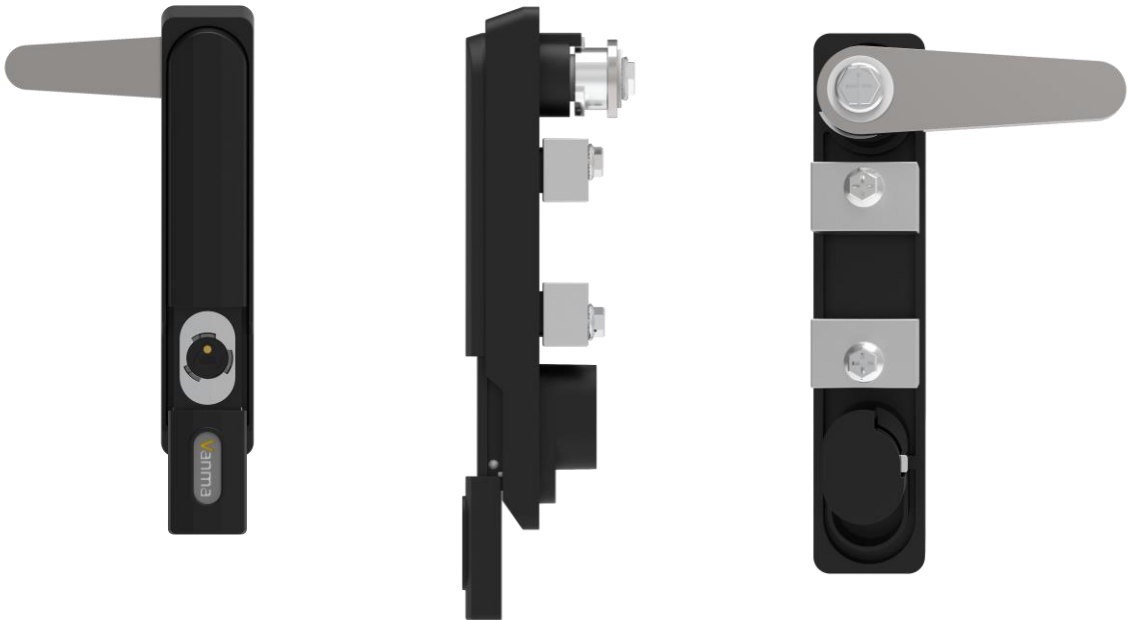
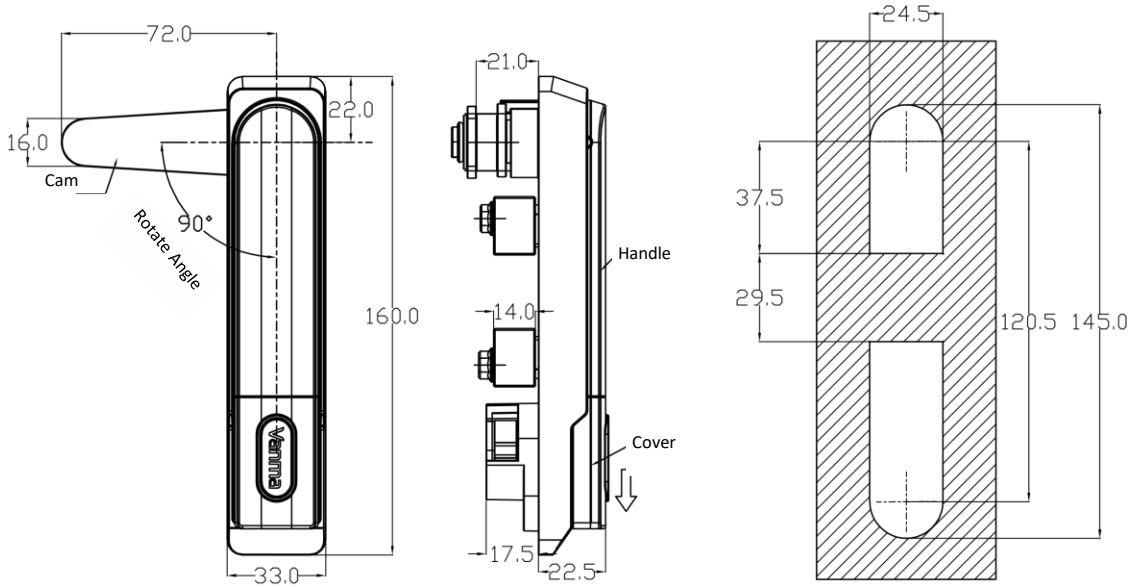


Weight:542g



# Drawings

Model:WM-2000C-MS8012



Weight:588g

---

## Memory Capacity

- Blacklisted Keys..... 100 Pcs
  - Lock Events.....60 Pcs
- 

## Technical Data

- Physical.....Hardened-Zinc Alloy with brushed finishing
- IP Standard.....IP68
- Compatible Keys.....All Vanma keys