

## DISTRIBUTION BOX LOCK

WM-2000C-MS888

### System Description

Vanma® industrial locks have been developed to meet the highest levels of security in the field of equipment locking. Our extensive range consists of both standard products and a wide selection of customized products. The superior benefits offered by Vanma® Locks make them ideally suited to the most demanding, high security applications where valuables are located either behind small doors or in enclosures. One key fits several locks. How many locks a single key opens and who has access to what, can be accurately controlled.

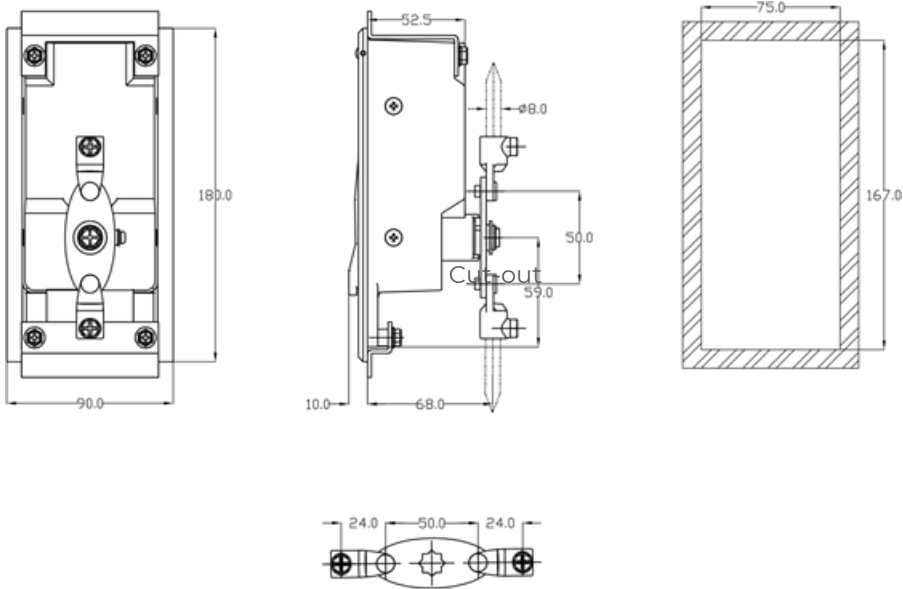
### Feature

- Programmable electromechaniclock for Vanma® locking system
- No batteries or external energy source required for the lock
- All Vanma® locks and Vanma® keys are mechanically identical
- Powerful and secure AES256 encryption for common lock and key authentication
- Programmable lock opens with Vanma® keys
- Log memory for openings and opening attempts
- Blacklist for individual lost keys
- Access group list for key accesses
- Updatable firmware



## Drawings

Model:WM-2000C-MS888



## Memory Capacity

- Blacklisted Keys..... 100 Pcs
- Lock Events.....60 Pcs

## Technical Data

- Physical..... Hardened-Alloy with brushed finishing
- Weight.....1060g IP
- Standard.....IP68 Compatible
- Keys.....All Vanmakeys